

SPECIFICATION

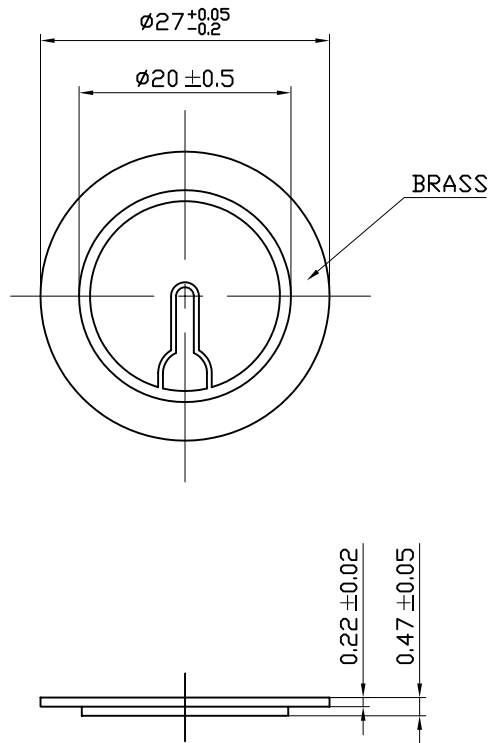
1. SCOPE

This specification is applied to the piezo-element.

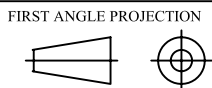
2. SPECIFICATION (at 25°C)

- 2.1 Resonant Frequency : 4.1 ± 0.5 KHz
- 2.2 Resonant Resistance : 500 Ω max
- 2.3 Capacitance : 20000 pF ± 30% at 100Hz
- 2.4 Input Voltage : 30 Vp-p max
- 2.5 Operating Temperature : -20~+60°C
- 2.6 Storage Temperature : -20~+70°C

3. DIMENSION as per figure



TOLERANCES UNLESS NOTED OTHERWISE .X ± .XX ± .XXX ± 90° FORMED +2° ANGLES -1°	DRAWN		KEPO MODEL NO.	CUSTOMER				
	DESIGN		FT-27T-4.1B1	CUSTOMER NO.				
	CHECKED							
	APPROVED		DWG NO.		VER	1.2	SCALE	
	DATE	06.03.23	KP3.841.795.01		UNIT	mm	SHEET	
	CONTRACT NO.		KEPO CO.,LTD.		TEL:(+86)574-88370330			
AGENCY APPROVAL		FAX:(+86)574-88370329						



1

2

3

4